



REGIONAL AGRICULTURAL RESEARCH STATION  
AMBALAVAYAL, WAYANAD - 673 593  
KERALA AGRICULTURAL UNIVERSITY

Phone: 04936 260561 Mobile: 9188224421, E-mail: rarsamb@kau.in / adramb@kau.in

No: 825/14

18/03/2022

**TENDER NOTICE**

Sealed competitive tenders are invited for the **Establishing raised platforms with movable frames** in the nursery at Regional Agricultural Research Station (RARS), Kerala Agricultural University, Ambalavayal.

**CRITICAL DATES AND DETAILS**

Tender No. and Date	825/14/18/03/2022
Last date of receipt of tender	10.00 am on 30.03.2022
Date and time of opening the tender	11.00 am on 30.03.2022
Tender cost	Rs 1000 + GST (18%)
EMD amount	1.5 % of the quoted amount
Dates up to the rate are to remain firm for acceptance	6 months from the date of tender opening
Designation and Address of the Officer to who the tender should be addressed	Associate Director of Research, Regional Agricultural Research Station (RARS), Kerala Agricultural University, Ambalavayal, Wayanad Dist. Kerala – 673 593
Location of Supply / Work	Regional Agricultural Research Station (RARS), Ambalavayal, Wayanad Dist. Kerala – 673 593
Superscription on Tender cover	Tender for <b>Establishing raised platforms with movable frames</b>

Terms and conditions and other instructions to tenderers are provided as Annexure -I and the technical details and specifications are provided as Annexure – II.

## Annexure -I

### Conditions for participating in Tender


1. Tender forms can be downloaded from the KAU website ([http://www.kau.in/sites/default/files/documents/kau\\_tender\\_form.pdf](http://www.kau.in/sites/default/files/documents/kau_tender_form.pdf) ) and should be submitted to the undersigned along with the cost.
2. The cost of tender form, GST and EMD will be accepted by separate DDs drawn in favor of **The Associate Director of Research, Regional Agricultural Research Station, Ambalavayal, Wayanad, Kerala 673593 and payable at State Bank of India, Kolagappara Branch, Ambalavayal (IFSCODE-SBTR0000615)(GST No.: 32AAAGR0087B2ZS)**
3. The envelope containing the tender should be super-scribed as **“Tender for Establishing raised platforms with movable frames” in the nursery at RARS, Ambalavayal, with 825/14/18/03/2022 reference number and date of opening.**
4. Tenderers should execute an agreement in Kerala stamp paper worth **Rs.200/-** as per specimen appended in the tender form. The format of the agreement is also available for reference in the KAU website (<http://www.kau.in/tenders>).
5. **1.5 % of the value of the tendered equipment/machinery rounded to the nearest rupee has to be remitted as EMD along with the tender.**
6. The rate quoted for each item should be inclusive of all charges, **taxes if any**, F O R Ambalavayal and should be valid for a minimum period of **one year** w.e.f. the date of tender notice.
7. Period of firmness of the quoted rates/prices should be clearly stated in the offer.
8. Tenders will be received up to **10.00 am on 30.03.2022**. The tenders received late and without adequate documents will be rejected without any intimation.
9. Tenders will be opened at **11.00 am on 30.03.2022** the presence of the tenders who may be present at that time.
10. If the date fixed for receipt/opening of the tender subsequently declared a holiday, the tender will be received/opened at the same time on the next full working day.
11. 3% of the value of the articles ordered for, rounded to the nearest rupee to a minimum of Rs.100/- will have to be remitted as Security Deposit after the tender is accepted. The amount should be remitted by means of DD/Fixed Deposit Receipt/Bank Guarantee drawn in favour of The Associate Director of Research, Regional Agricultural Research Station Ambalavayal, payable at State Bank of India, Kolagappara Branch, Ambalavayal, only.
12. Institutions under KAU are exempted (registered with DSIR) from payment of customs and excise duty for our procurements and hence prices quoted should be exclusive of these. Prices inclusive of taxes and other charges, if any, may be indicated. We shall provide the necessary forms and certificates as required.
13. Payment as per the invoice will be made only after satisfactory completion of work as per specifications and satisfactory installation of the item. Tenderer is liable to replace the defective articles/rectify the defective item of work immediately on receipt of intimation. Payment will be made only by Cheque on fulfillment of the contract satisfactorily.
14. The EMD/Security Deposits furnished will be forfeited in case the contract is not



- fulfilled as per the terms and conditions mentioned in the tender notice and agreement.
15. All other technical and commercial terms and conditions pertaining to the execution of work/installations to Government/Public undertakings as per the code rules in force in Kerala will be applicable in this case also.
  16. Further information such as terms and conditions, detailed specifications of the work/installation, cost of tender form etc. can be had on all working days from the office of the **Associate Director of Research, Regional Agricultural Research Station Ambalavayal, during duty hours.**

### Special Conditions

1. Tender insisting payment in advance either full or part for releasing the documents through bank are liable for rejection.
2. Payment will be made after satisfactory installation and demonstration of the equipment/system.
3. Operation manual and guarantee cards of the equipment wherever required should be supplied along with equipment.
4. Details of warranty offered should be clearly stated in the "tender details of maintenance service contract offered after expiry of normal warrantee and after-sales service facilities available should be indicated.
5. Evidence of exclusive/authorized distributorship from foreign principals should be provided along with offers for overseas products.
6. The undersigned reserves the authority to accept or reject any or all of the offers for any particular item without assigning any reason whatsoever.
7. The decision of the under signed in finalizing the tender shall be final and binding.

  
Associate Director of Research  
Regional Agricultural Research Station  
Ambalavayal, Wayanad

**ASSOCIATE DIRECTOR**  
**REGIONAL AGRICULTURAL RESEARCH**  
**STATION, AMBALAVAYAL - 673 593**

# Annexure -II

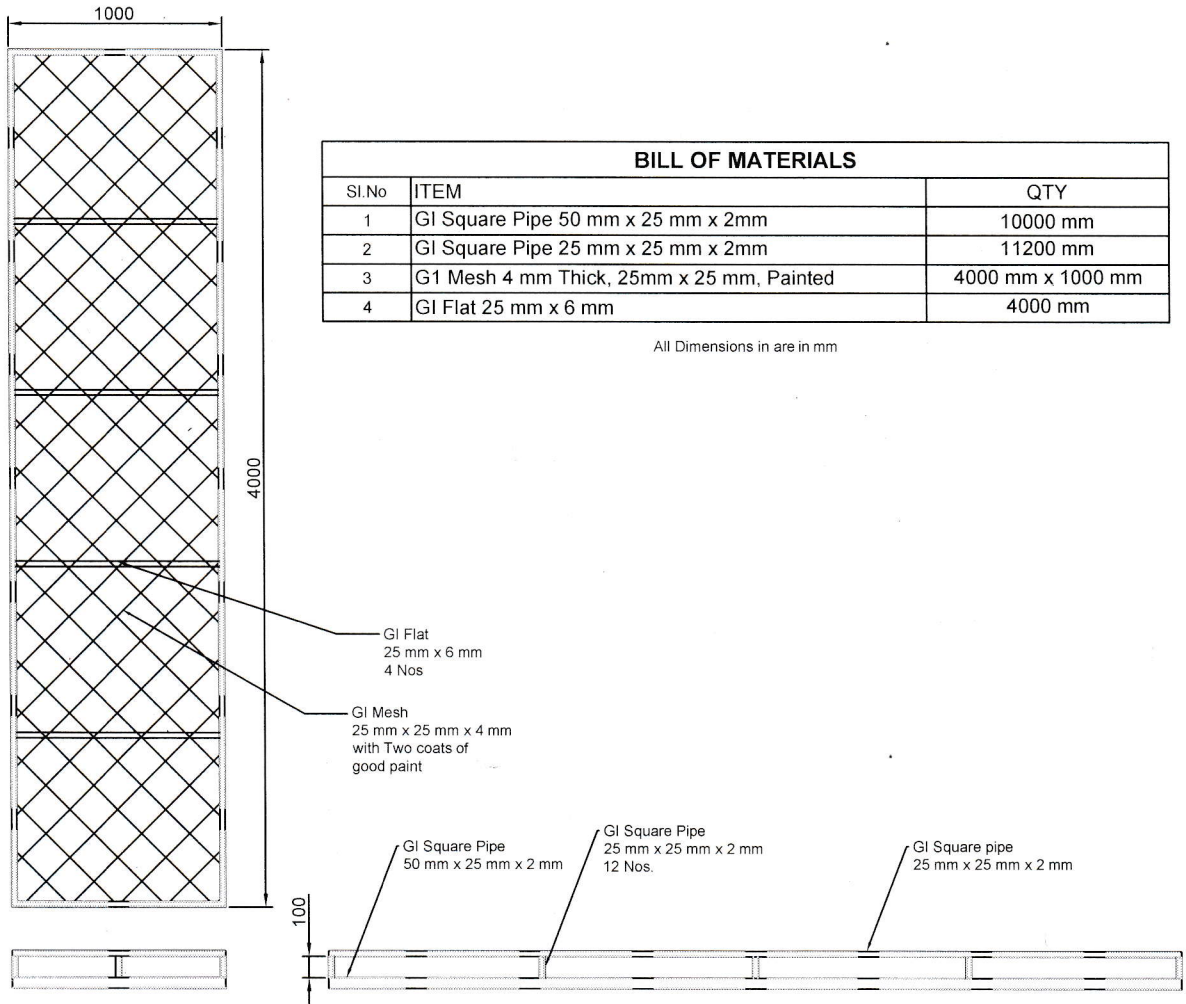
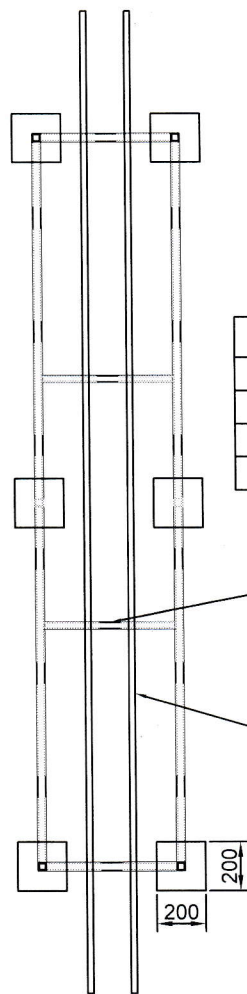


Fig 1. TRAY



BILL OF MATERIALS		
Sl.No	ITEM	QTY
1	GI Square Pipe 32 mm x 32 mm x 2mm	6080 mm
2	GI Square Pipe 25 mm x 25 mm x 2mm	15600 mm
3	GI Pipe 25 mm OD, 2 mm Thick	8000 m

All Dimensions in are in mm

GI Square Pipe  
25 mm x 25 mm x 2 mm  
2 Nos

GI Pipe  
25 mm OD,  
2 mm Thickness  
2 Nos

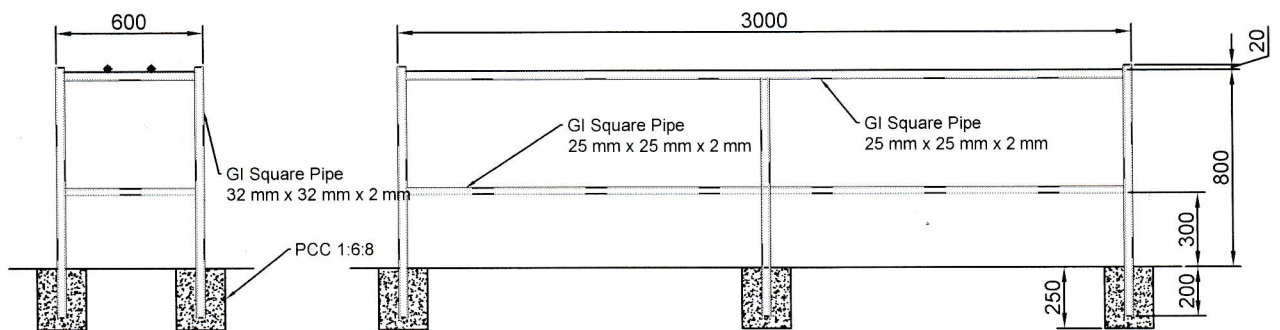
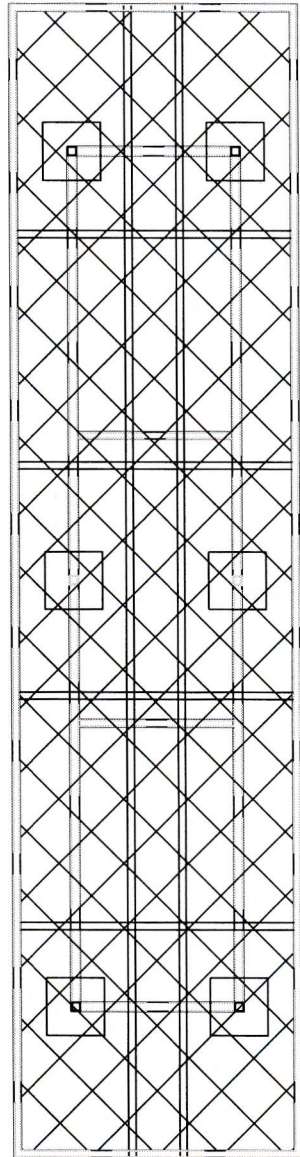


Fig 2. BASE PLATFORM



- 1 Tray 1000 mm x 4000 mm
- 2 Base Platform 600 mm x 3000 mm
- 3 GI Pipe 25 mm OD, 4000 mm Length

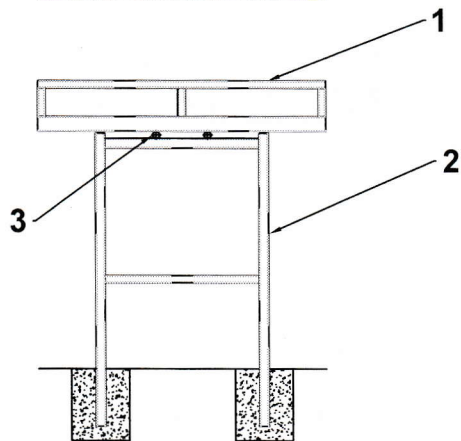


Fig 3. PLATFORM AND TRAY - SINGLE UNIT



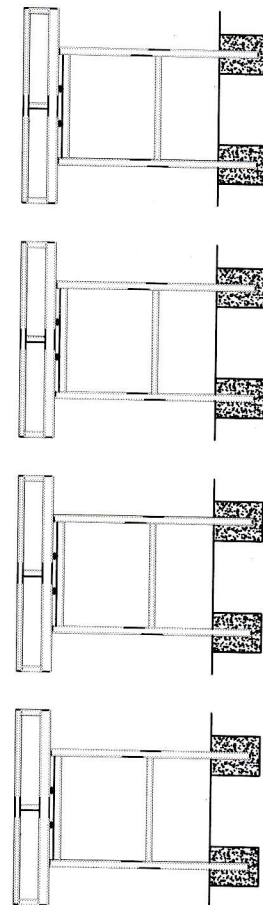
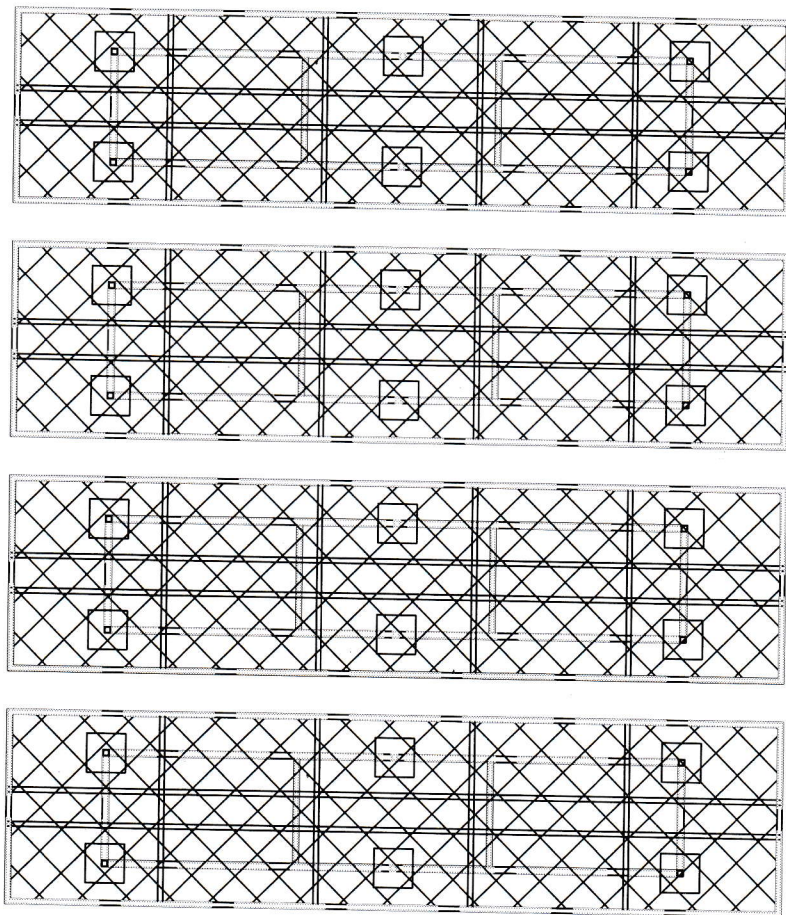


Fig 4. PLATFORM AND TRAY - LAYOUT